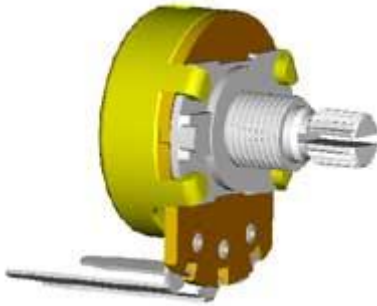


Model(型號): **ROTARY POTENTIOMETER-----R24211CB2**

[▶ Download PDF file](#)



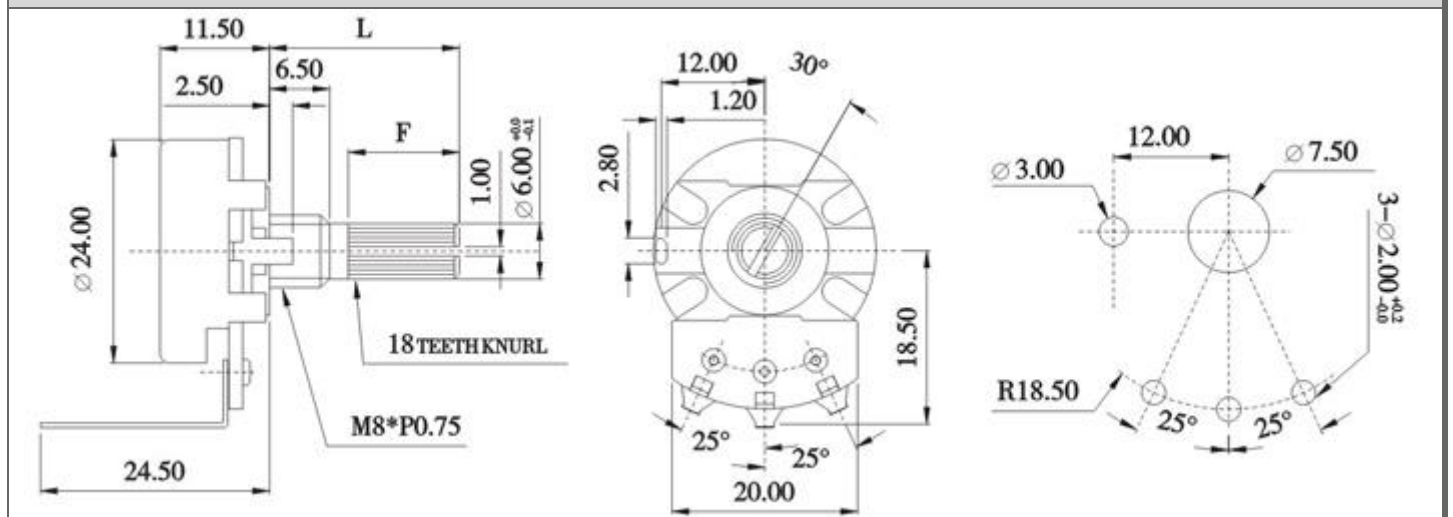
Features:(特點):

Excellent operational feeling;Many codels are available.High performance and high dependability.

Applications(作用):

Suitable for various control applications sith general consumer electronics products,automotive installation equipment and devices,industrial machines,etc.

Dimensions(規格圖):



Specifications(規格)

Electrical Characteristics [電氣性能]

Total resistance [全阻抗值]	500Ω~1MΩ
Total resistance tolerance [全阻抗值容許差]	±20%
Ratings power(w) [額定功率]	B curve 0.5W,except B 0.25W
Restings taper[阻抗變化特性]	A,B,*C,D,W
Residual resistance [殘留阻值]	20ΩMax.
Sliding noise [滑動雜音]	80mV Max.
Withstanding voltage [耐電壓]	1 minute at AC 500V
Insulation resistance [絕緣阻抗]	100MΩ Min. at DC 500V.
Max. operating voltage [最高使用電壓]	linear Taper B AC 500V, except B AC 250V.
Gang error:[運動誤差]	-40dB~0dB ±3dB Max.
Switch contact resistance[開關的接觸阻抗]	less than 0.3mΩ
Switch Ratings power	1.0A at AC /DC 125V

Mechanical Characteristics [機械性能]

Operation torque [回轉力矩]	30~200gf . cm
Rotation stopper strength [止動強度]	5.0Kgf . cm Min.
Total rotational angle [回轉角度]	300±5°
Switch rotational angle[開關的回轉角度]	50° ±5°
Switch action[開關的轉動力]	150~450gf.cm

Endurance Characteristics [耐久性能]

Rotational life [回轉壽命]	More than10,000 cycles
--------------------------	------------------------

